

CYCLIC TIMER MODEL - MCS_3PCYCT



CUSTOMER CARE
+91 91596 34445



The **CYCLIC TIMER** is a digital device designed to set the desired on and off time periods independently. It has one set point for ON TIME and one set point for OFF TIME. Programming the controller is done through a button. Once the timer has been configured with the required time periods, it will start counting down, displaying the remaining time of the current period. The timer runs in minutes. A set point value can be programmed up to 9999 minutes.

SPECIFICATION:

MODEL	: MCS_3PCYCT
TYPE	: DIGITAL
BOX	: METAL BOX
COLOUR	: BLUE, WHITE
INPUT SUPPLY	: 3-PHASE
OPERATING VOLTAGE	: 440 VAC
PACKAGE CONTAINS	: 1x CYCLIC TIMER, 1x USER MANUAL.

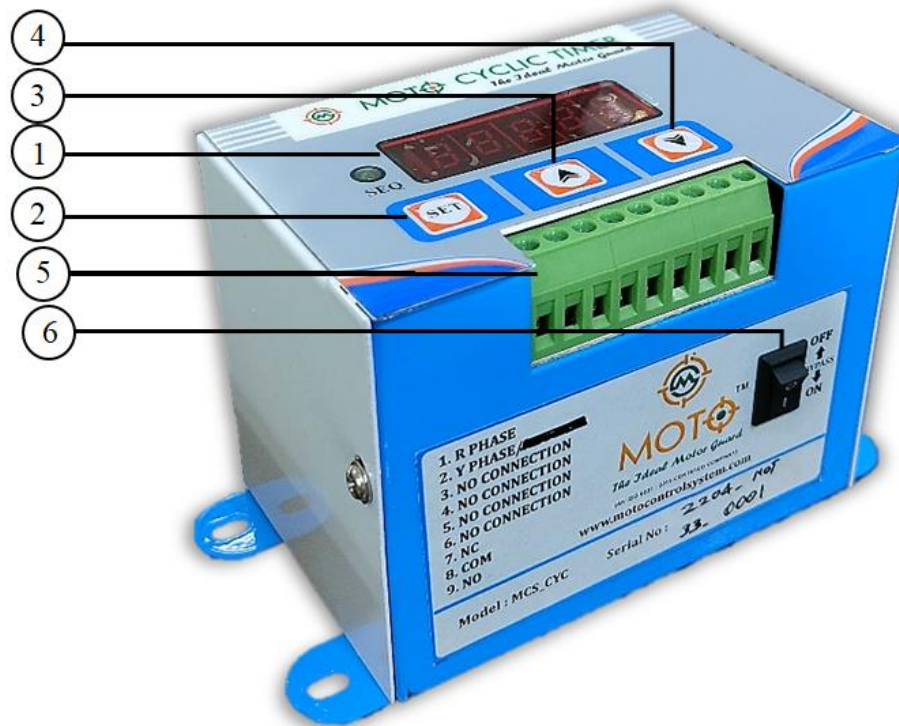
FEATURES:

- 7SEGMENT LED DISPLAY.
- CYCLIC TIMER OPTION.
- MINUTES VARIATION UPTO 0-9999.
- RESUME OPTION.

ADVANTAGES:

- SUITABLE FOR ALL BUTTON STARTER.
- USER FRIENDLY TIMER SETTINGS.
- AUTO / MANUAL MODE OPERATION.
- EASY INSTALLATION AND MAINTENANCE.
- BY-PASS OPTION.

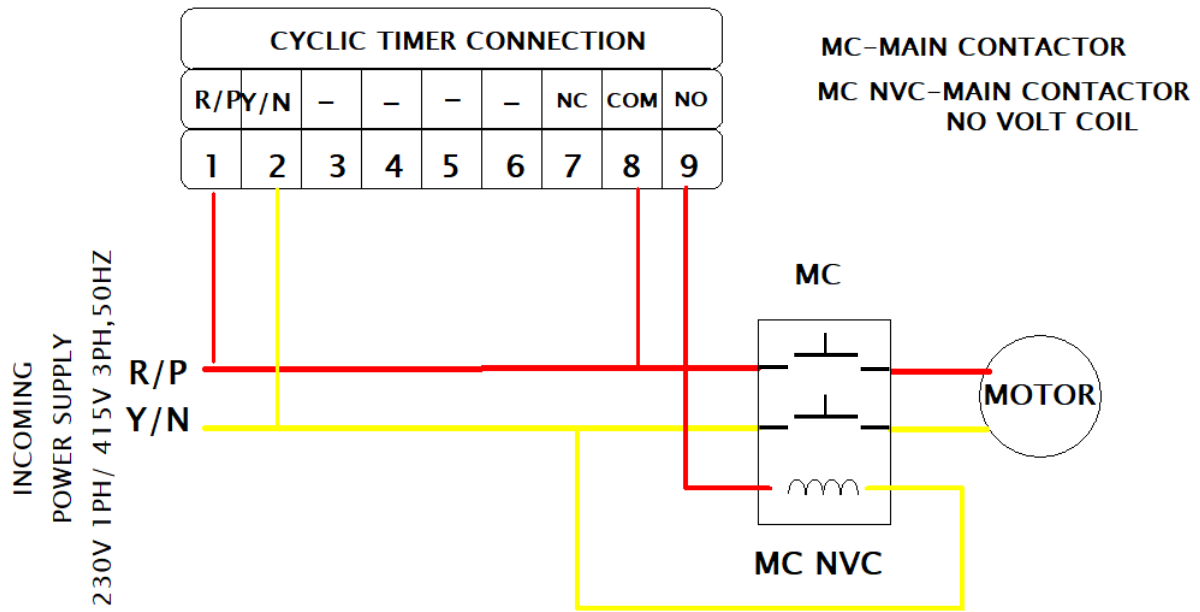
DESCRIPTION:



1. 7SEGMENT DISPLAY.
2. SET BUTTON.
3. INCREMENT BUTTON.
4. DECREMENT BUTTON.
5. INPUT/OUTPUT CONNECTOR.
6. ON/BYPASS SWITCH.

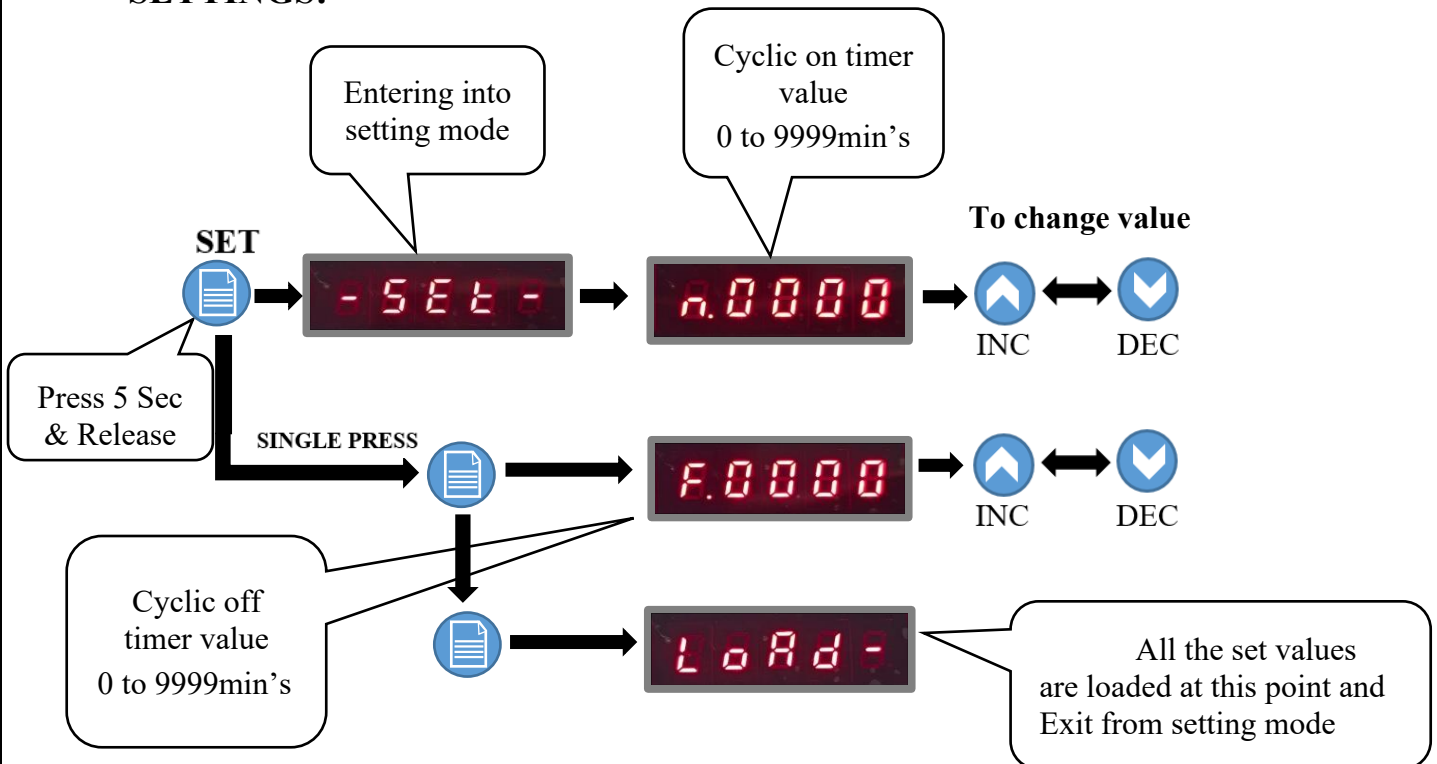
WIRING DIAGRAM:

Fig 1: CYCLIC TIMER CONNECTION DIAGRAM.



NOTE: ALWAYS DISCONNECT POWER BEFORE INSTALLATION OR MAINTENANCE.

SETTINGS:



TIMER CHANGE MODE:

- Long Press INC Button while off time running to CHANGE the CYCLIC ON TIMER Option.
- Long Press DEC Button while on time running to CHANGE CYCLIC OFF TIMER Option.



Thank you for choosing the **CYCLIC TIMER**. This user manual provides comprehensive information to help you operate and maintain your device effectively. If you have any further questions or require technical support, please contact our customer service team.





WARRANTY:

CUSTOMER NAME:

MOBILE NUMBER:

ADDRESS:

.....

SERIAL NO: BATCH NO:

E-MAIL:

PURCHASE DATE:

DEALER DETAILS:

***NOTE:**

WARRANTY NOT APPLICABLE FOR PHYSICAL DAMAGE, WATER DAMAGE, NATURAL DISASTER, HIGH VOLTAGE FROM MAINS AND THIRD PARTY REPAIRS.

----- NOTES -----

MANUFACTURED BY:

MOTO CONTROL SYSTEM

186-190,2nd Floor, Dr. Radha Krishnan Street, Tatabad, Coimbatore, Tamil Nadu 641012.

E-mail: info@motocontrolsystem.com Phone: 0422 4334445

Web: www.motocontrolsystem.com